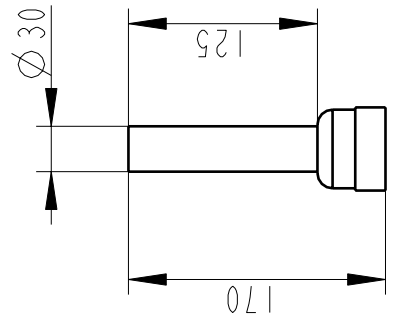
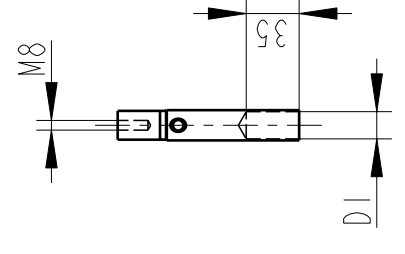


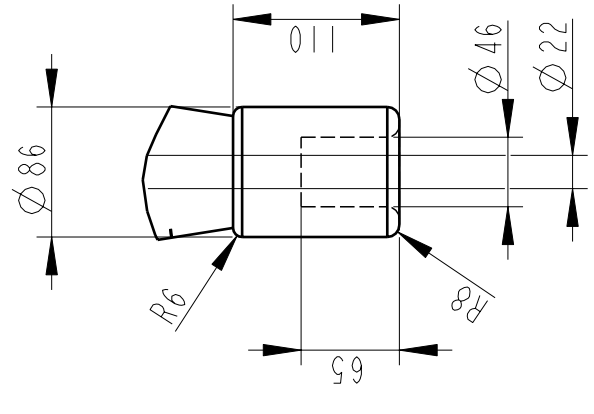
**OUTER TERMINAL**



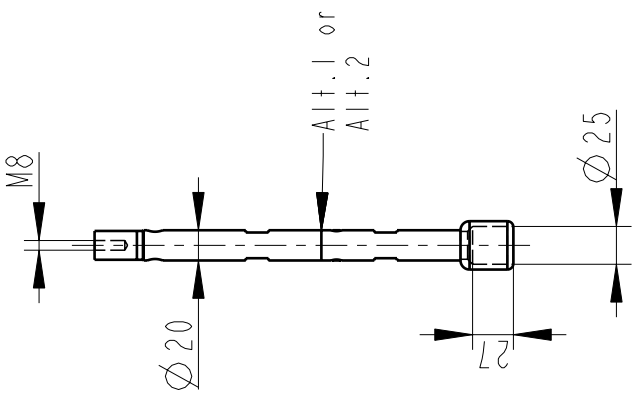
**INNER TERMINAL FOR STRANDED CABLE**



**END SHIELD**



**SOLID ROD CONNECTOR**



The solid rod can be divided either:  
 Alt.1: 20mm below the bushing flange or  
 Alt.2: 20mm below the upper end of the bottom porcelain

**Bushing Data:**

Rated Voltage	100	kV
Phase to Ground Voltage	72.5	kV
Dry Lightning Impulse 1,2/50µs	380	kV
Wet power frequency AC	150	kV
Routine test Imin dry 50Hz	162	kV
Rated Current	800	A
Creepage Distance	2210±70	mm
Creepage Distance Protected	870	mm
Mass	40	kg

**Ordering Data:**

<b>BUSHING</b>	COLOUR AIR INSULATOR	
LF123187-M	BROWN	
-N	LIGHT GREY	
<b>OUTER TERMINAL</b>		
LF 170 002-A	Cu, Ø30, L=125	
LF 170 001-A	Al, Ø30, L=125	
OTHER TYPES ON REQUEST		
<b>INNER TERMINAL FOR STRANDED CABLE</b>		
<b>For brazing</b>	Conductor area	D1
LF 170 011-S	up to 150mm <sup>2</sup>	Ø18
LF 170 011-U	Undrilled with pilot hole Ø5	
<b>For crimping or brazing</b>	Conductor area	D1
LF 170 010-M	50mm <sup>2</sup>	Ø11
LF 170 010-N	70mm <sup>2</sup>	Ø13
LF 170 010-L	95mm <sup>2</sup>	Ø15
<b>SOLID ROD CONNECTOR</b>		
LF 170 019 -BF for Alt.1		
LF 170 019 -BG for Alt.2		

<b>ABB Components</b>		Ludvika, Sweden	
No.	kg	L	mm
U <sub>dry</sub>	kV	L	V
LI, SI, AC	AC	tan δ	°
M	kg	tan δ	°
C1	pf	tan δ	°
C2	pf	tan δ	°
A 50/60 Hz		kV	

Based on	Reg. No.
Prepared	Responsible department
Lövnord	COM/BK
Approved	Take over department
Johansson	Database
Design engineering review	
Hedlund	

Title	Language
GOB 380-800-0.5	82
WITH OIL LEVEL GAUGE	Page
LONG END SHIELD	I(1)

Document No.	2751369-192
--------------	-------------

We reserve all rights in this document and in the information contained therein. Reproduction, use or disclosure to third parties without express authority is strictly forbidden. ©ABB